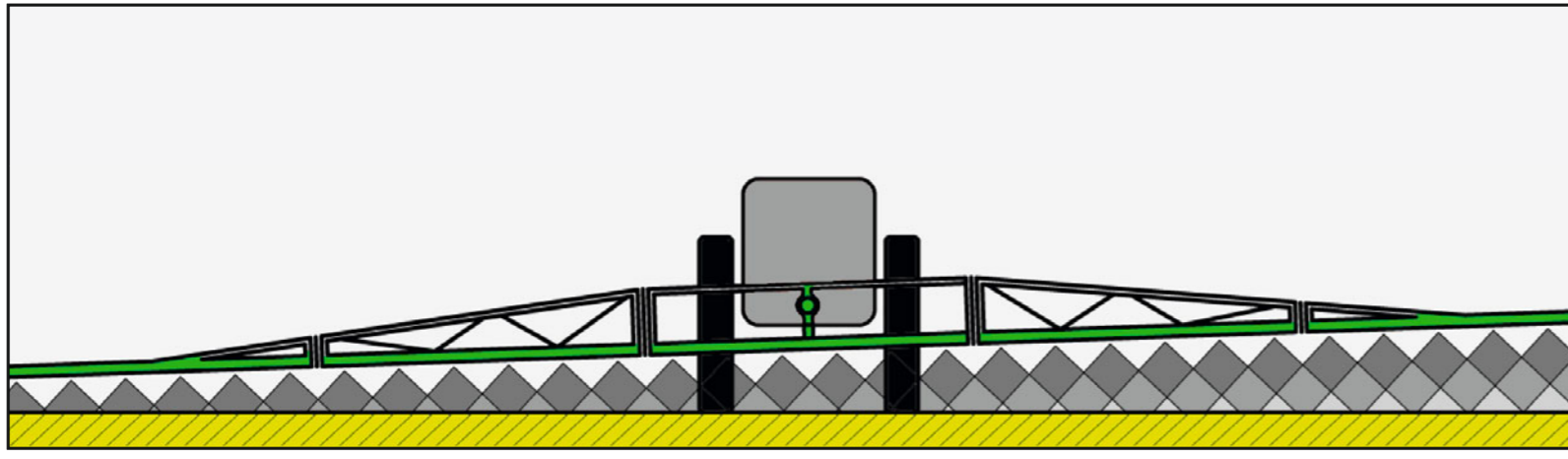
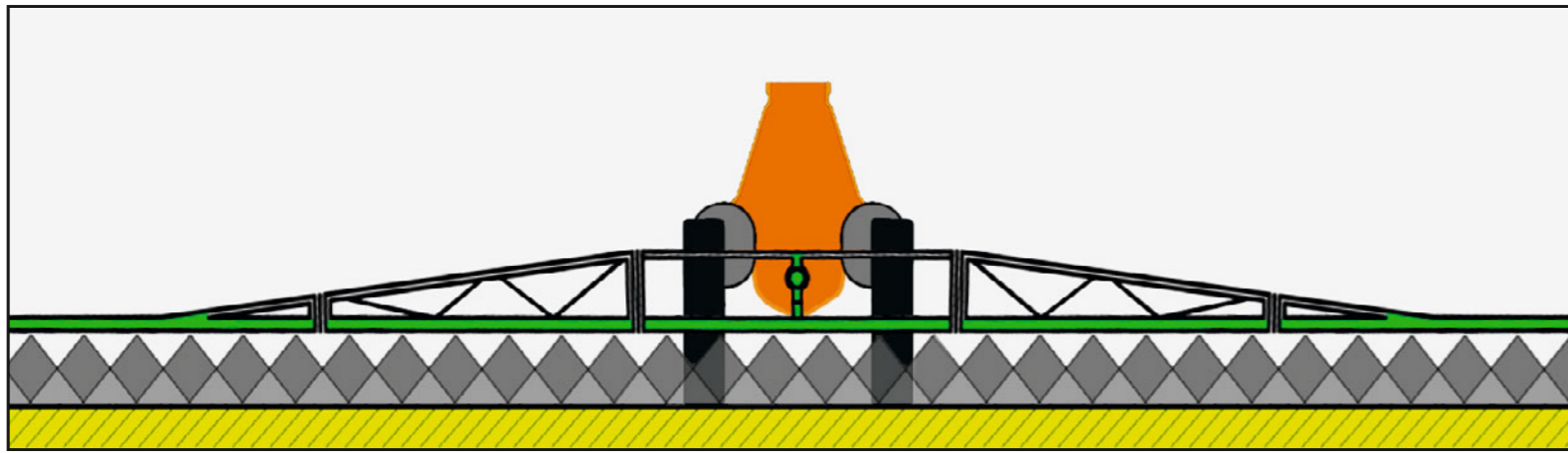


Perfect spray pattern distribution accuracy

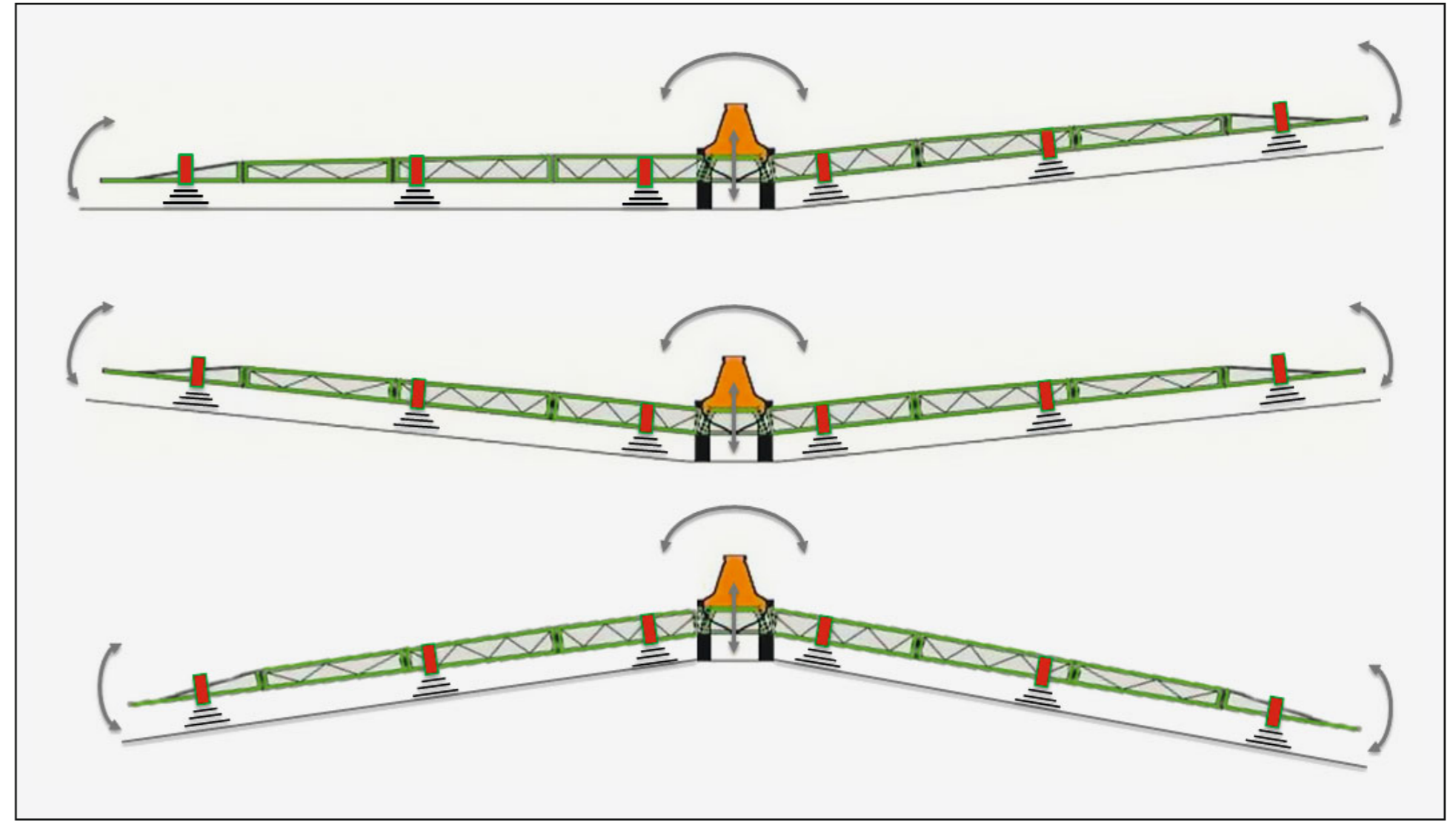
ContourControl – active vertical boom ride



Errors from vertical boom movement

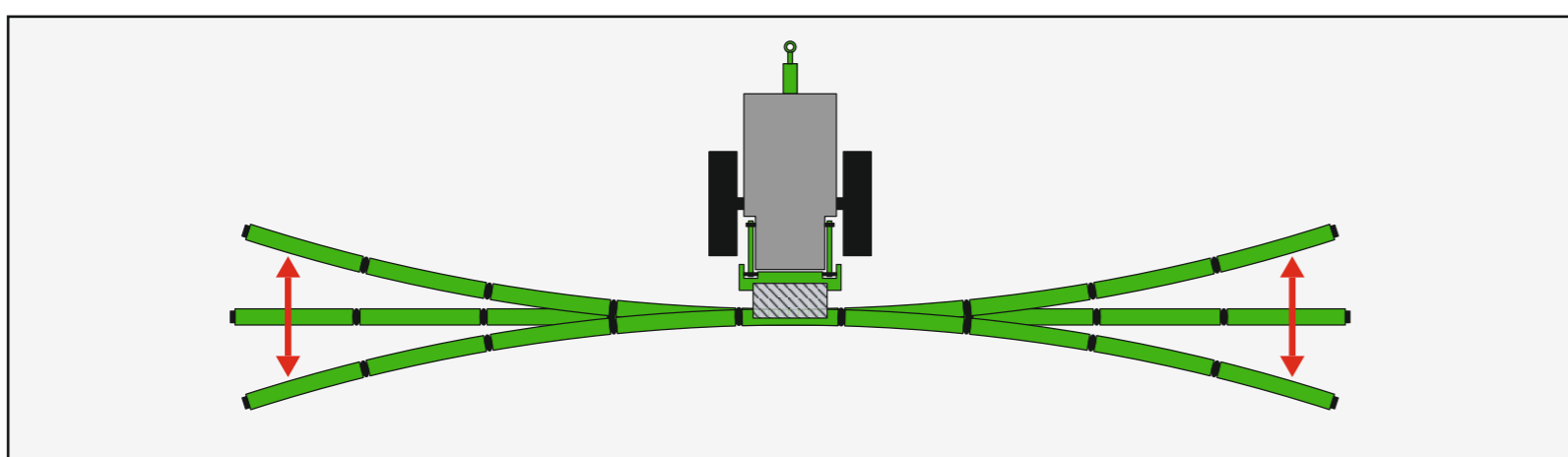


ContourControl for an optimum vertical boom ride

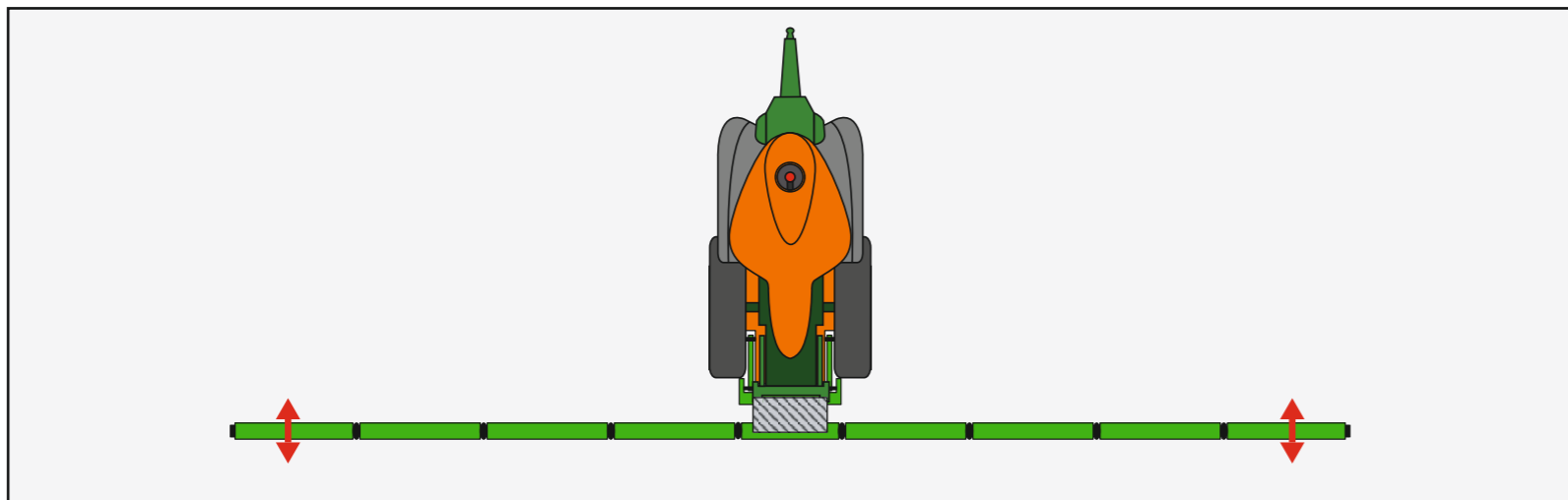


ContourControl boom with 6 ultrasound sensors

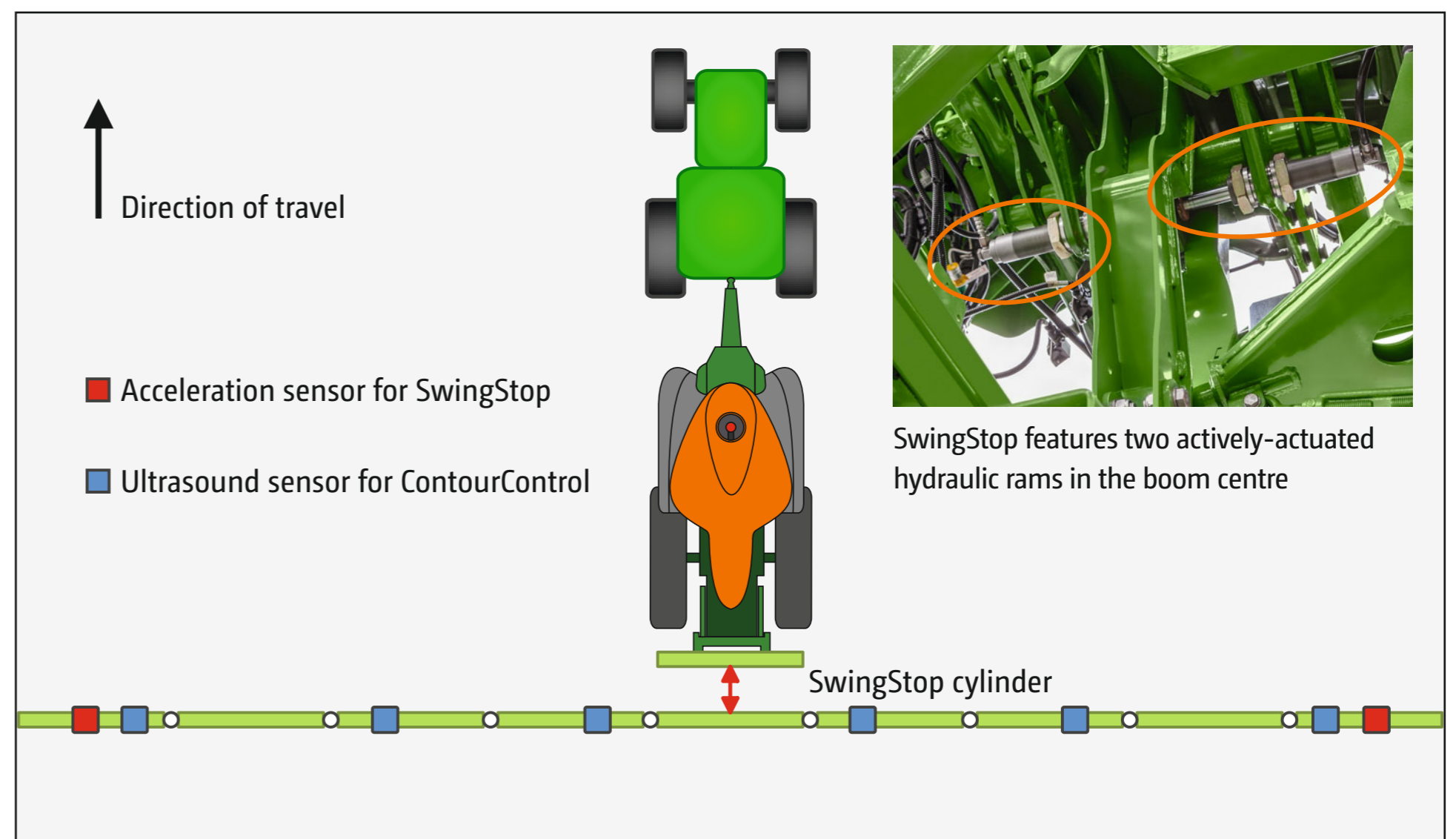
SwingStop – active horizontal swing elimination



Errors from horizontal boom movements

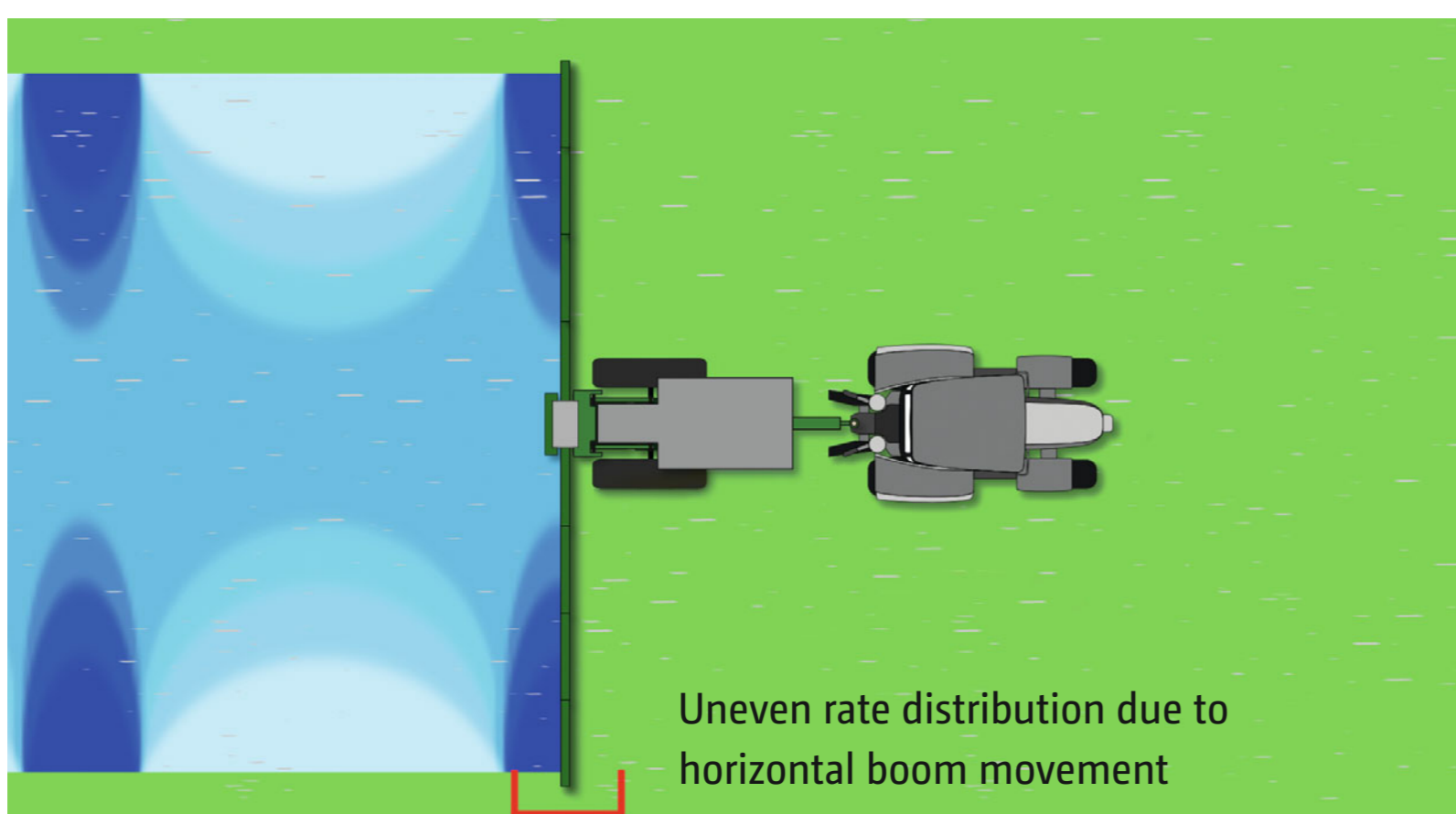


SwingStop for an optimum horizontal boom ride

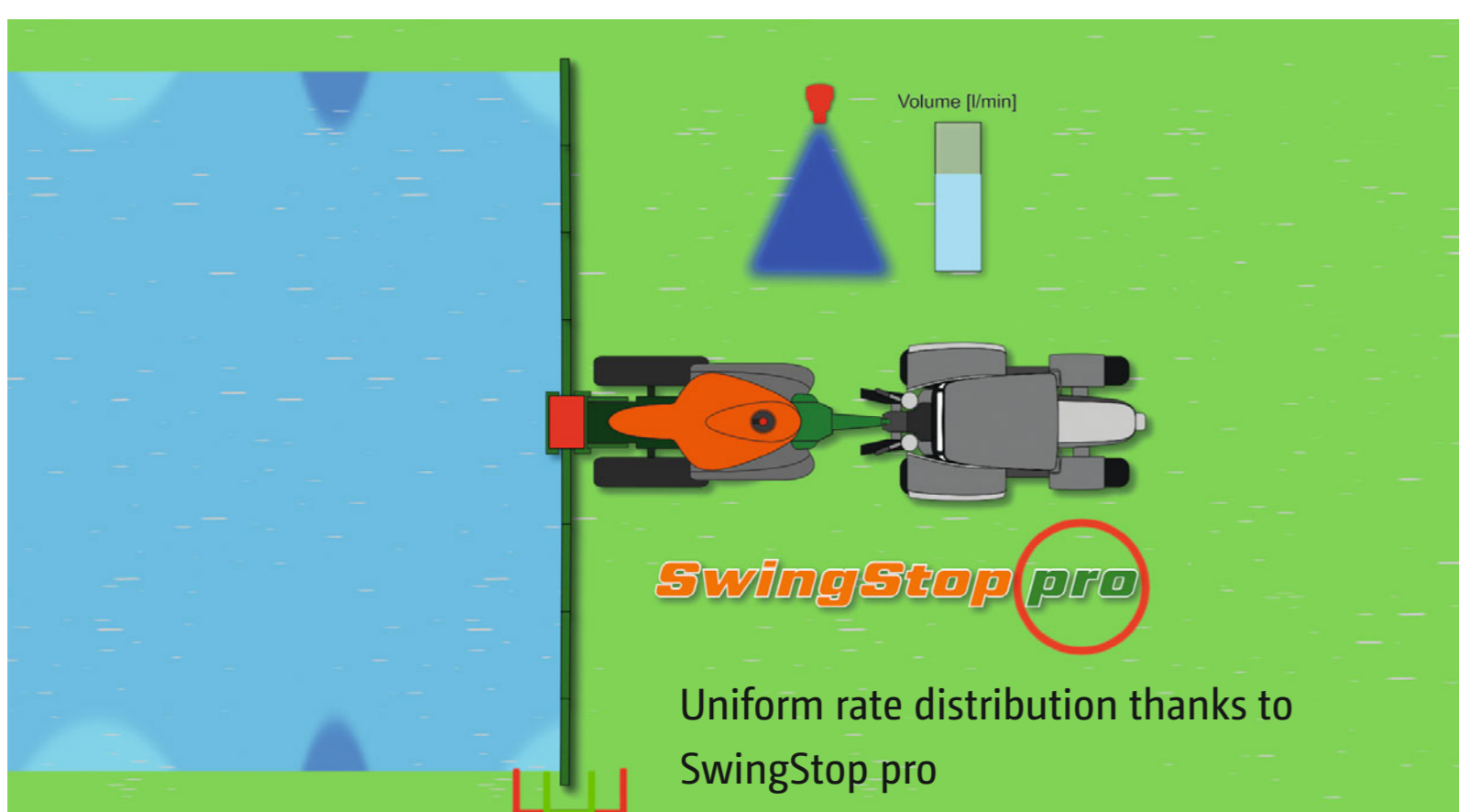


ContourControl boom with SwingStop acceleration sensors

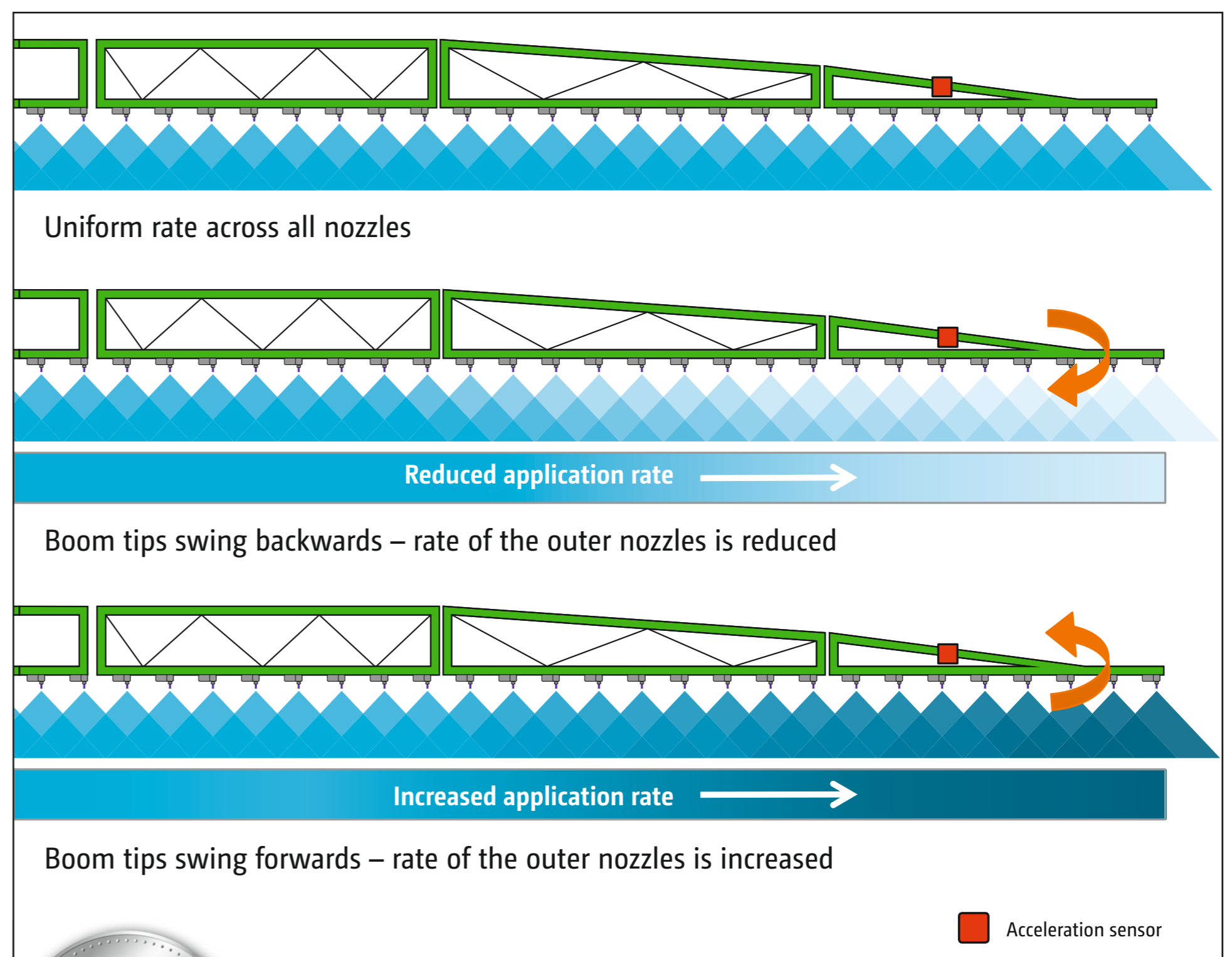
SwingStop pro – combination of active horizontal swing elimination and nozzle system with pulse width frequency modulation (PWFM)



Uneven rate distribution due to horizontal boom movement



Uniform rate distribution thanks to SwingStop pro



SwingStop pro

Active horizontal boom movement stabilisation for sprayer booms and dynamic spray rate regulation from each nozzle (joint development with Rometron B.V)