



**AMAZONE**

Self-propelled mowers ***Profihopper***



# Profihopper self-propelled mowers

The self-propelled professional green space maintenance range



Confirmation on compliance with the thrown object test: Profihopper with SmartCut cutting deck fitted with H77 mowing blades in accordance with DIN EN13524:2014 Annex B and the requirements of ISO 17101-2:2012

- ❶ "The AMAZONE 4WDi Profihopper was convincing in the tough KT Practice Test. What the drivers appreciated most, in addition to the thoroughly thought-through concept, was the robustness of the machine."

(Practice test from 'Kommunaltechnik' magazine- 07/2013)

Amazone offers extremely reliable, high-performance professional equipment which pack a big punch in the shape of the Profihopper 1250 and 1500 self-propelled mowers. The Profihopper concept promises maximum performance but also stands out with an incredibly compact design with working widths of 1.25 m and 1.50 m. The Profihopper is versatile and can be used for mowing, scarifying, mulching or collecting dead leaves, horse droppings or other debris.



## When performance counts! Faster, more economical, better!

	Page
The advantages at a glance	4
The range	6
Scope of operation	8
PowerCompactor   SmartCut	12
Handling	14
SmartHandling	16
Engine	18
Profihopper 1500	20
Frame   Blades	22
Judgement in practice	24
Special optional equipment   Technical data	26

2011: Silver medal:  
Profihopper 4WDi PowerCompactor

2013: Silver medal:  
SmartCut exact cut rotor

2018: Innovation Award for  
AMAZONE SmartService 4.0

❗ "Augers for conveying the cuttings unique on the market."  
("profi" – Test report PH 1250 · 09/2020)

# Profihopper 1250

With **730 l** collecting hopper  
(equals 1,000 l of uncompacted cuttings)

In **1.25 m** working width

With **40 l** fuel tank

With **2.10 m**  
high-lift discharge

Choice of

## iDrive

(with front wheel drive)

or

## 4WDi

(with intelligent all-wheel drive)



## The advantages at a glance

- ⊕ Out-front cutting deck in 1.25 m/1.50 m working width with integrated PowerCompactor collecting and conveying system, consisting of longitudinal and cross conveyor augers providing the highest work rates
- ⊕ Versatile application over the entire year: Scarifying, mowing, mulching or collecting dead leaves, horse droppings or other debris
- ⊕ Operation in any weather, both in short and long grass – extremely robust and reliable technology
- ⊕ SmartCut exact cut rotor with chevron blade arrangement – for an improved cutting and collecting quality and for a reduced noise emission
- ⊕ Top performance at high working speeds even under difficult conditions
- ⊕ High-lift discharge at 2.10 m/2.50 m – comfortable and quick
- ⊕ State-of-the-art and efficient engine technology, STAGE V emissions compliant
- ⊕ 0-turning circle steering – for more manoeuvrability and safety in any terrain, even on slopes
- ⊕ Blade change without tools – quick, simple and safe!

# Profihopper 1500

In **1.50 m** working width

With **55 l** fuel tank

With **1,100 l** collecting hopper  
(equals 1,600 l of uncompacted cuttings)

With **2.50 m**  
high-lift discharge

With **4WDi**  
(with intelligent  
all-wheel drive)



With a **30% increase in output**  
even under the most difficult of conditions



**MORE INFORMATION**  
[www.amazone.net/profihopper](http://www.amazone.net/profihopper)

# The models



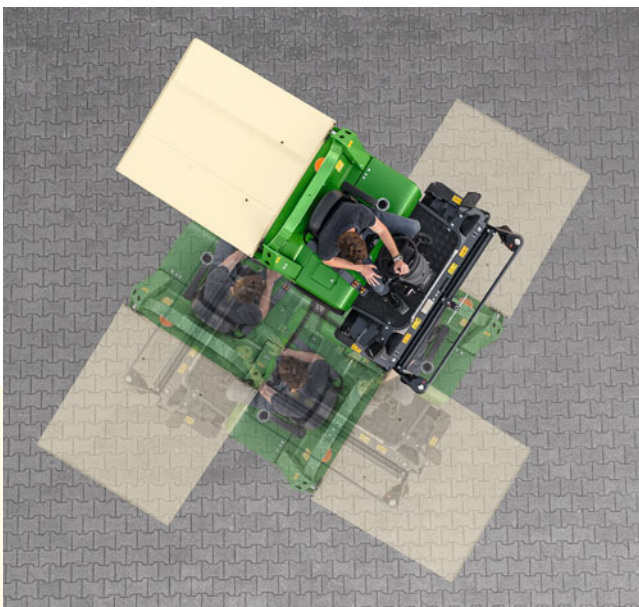
## Profihopper iDrive SmartLine with front wheel drive and 0-turning circle steering

For the operation under normal ground conditions, the Profihopper iDrive SmartLine is recommended. The front wheel drive is provided out via two hydraulic motors. The only difference between the Profihopper iDrive SmartLine and the Profihopper 4WDi SmartLine is the drive system. The Profihopper iDrive SmartLine is also equipped with the high-performance SmartCut cutting deck and is characterised by its compact design, efficiency and quality of work. The intuitive steering via a steering wheel with the 0-radius turn is also standard on the Profihopper iDrive SmartLine.

## Profihopper 1250 iDrive SmartLine

- ✔ 1.25 m working width
- ✔ Hopper capacity 730 l (equals 1,000 l of cuttings)
- ✔ Front wheel drive with 0-turning circle steering
- ✔ Hydrostatic drive with mechanical actuation

## 0-turning circle steering for all Profihoppers



- ✔ Manoeuvrable and safe with the 0-radius turn.



- ❗ "The standard-size rear wheels turn by almost 90° with or without all-wheel drive – the machine is therefore easily manoeuvrable and almost turns on the spot."  
("profi" – Test report PH 1250 · 09/2020)



### Profihopper 1250 4WDi SmartLine

- ✔ 1.25 m working width
- ✔ Hopper capacity 730 l (equals 1,000 l of cuttings)
- ✔ All-wheel drive with 0-turning circle steering
- ✔ Hydrostatic drive with mechanical actuation

#### 4WDi all-wheel drive

Equipped with intelligent 4WDi all-wheel drive, the speeds of the four driven wheels are individually controlled depending on the steering wheel position and the forward speed. The Profihopper switches on the drive to the steered rear wheels only when the front wheels need this assistance. The system functions both when going forwards or backwards.

#### Benefits of the 4WDi technology

- ✔ 0-turning circle steering
- ✔ Increased safety at maximum steering lock
- ✔ Also for difficult applications, such as, for instance, in cases of slippage on wet ground or in sloping terrain
- ✔ All-wheel drive only when necessary reduces the fuel consumption and saves the environment

#### Additional advantages of the Profihopper 1500

- ✔ Even higher driving comfort with electronic control of the hydrostatic drive.



### 1500 SmartLine Profihopper

- ✔ 1.50 m working width
- ✔ Hopper capacity 1,100 l (equals 1,600 l of cuttings)
- ✔ All-wheel drive with 0-turning circle steering
- ✔ Hydrostatic drive with electronic control

#### Safe on any terrain – even under difficult conditions

Also, when working under difficult operational conditions – for example, when slipping on wet ground or when working on sloping terrain – the operator especially benefits from the intelligent four-wheel drive. The danger of slippage is minimised because every wheel is driven at all times at the optimum speed. This results in greater safety and improved operational performance, for example, less wheel marks on lawns.



- ✔ The drive of the Profihopper is carried out via one hydraulic motor per wheel.

# The all-season machines

Top performance all year round

## In use across the entire year:

- ✔ Mowing
- ✔ Scarifying
- ✔ Mulching
- ✔ Collection of leaves, horse droppings or any other rubbish
- ✔ Rolling

## Flexible and versatile

No matter whether short or long grass, damp or dry conditions, with the Profihopper you can be relaxed about any operation and at any time of the year.

- ❗ “The mowing unit and collection hopper, they couldn’t be any better.” Here all the judges agreed: “The 1.25 m wide rotor mower does a perfect job.”

(Practice test from ‘Kommunaltechnik’ magazine · 07/2013)



Parks



Cemeteries



Golf courses



Green areas in residential areas



Lawns



Sport fields

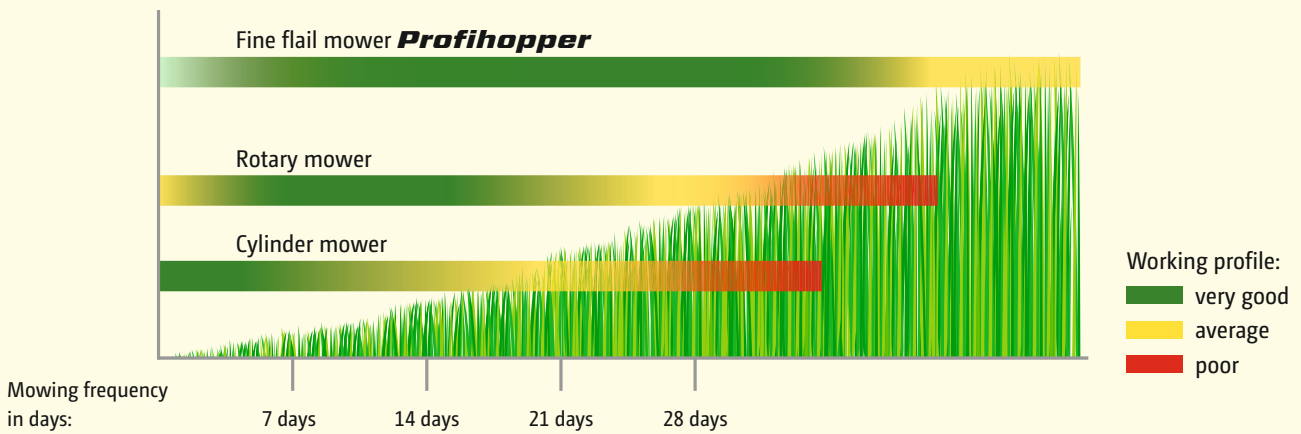


Campsites



Paddocks





Overview of cutting efficiency

### Excellent cutting quality – no matter whether short or long

Compared with either rotary or cylinder mowers, the Profihopper, as a fine flail mower operates reliably, thanks to its design, even at noticeable higher cutting heights. Both in short and long grass, the Profihopper provides a superb cutting performance.

### Mulching – returning important nutrients

Through the special mounting of the knives on the big diameter rotor, the grass-stalks are cut off and then shredded many times. For mulching, the mulch flap is just inserted into the Profihopper and the cuttings are spread evenly across the mown area. Important nutrients are consequently then fed back into the soil.

### Mowing – no matter whether damp or dry

The Profihopper does a superb job in nearly all climatic or vegetative conditions. Its well-proven AMAZONE mowing and scarifying system is the guarantor for well-groomed lawns. Whether the sun is shining or the early morning dew is still on the grass – work can begin. The Profihopper is not bothered whether the grass is wet, exceptionally tall or even thick – and it always achieves first class results.

### Scarifying – improves the soil structure

The AMAZONE Profihopper is also a superb scarifier. The scarifying knives, which are quickly attached without tools, slit the turf and thin out the lawn’s surface. Thatch is removed, collected and at the same time the soil is rolled. And so, due to the scarifying, the improved light, air, water and nutrient exchange results in a significant improvement in the soil structure.



# One machine for all applications!



Thanks to the powerful suction effect, the Profihoppers are perfect for collecting and shredding dead leaves in autumn or spring.

❗ “The collection and the transfer of cuttings or leaves performs very well, even in wet conditions.”  
(Practice test from ‘Kommunaltechnik’ magazine · 07/2013)

❗ “Most of the drivers liked the seating position.”  
(Practice test from ‘Kommunaltechnik’ magazine · 07/2013)

# Designed for efficiency!



1500 SmartLine Profihopper

## Collecting leaves

The powerful suction effect captures almost “everything” (leaves, chestnuts, acorns, etc.). This ensures optimum utilisation of the hopper capacity. In addition, the chopping up of the leaves by the rotating blades speeds up their decomposition.

Often in the spring, autumn leaves remain covering the ground and the grass can only grow with difficulty. To improve and aid that grass growth, those leaves can be collected and the lawn aired in a single pass by simply adding the scarifying blades.

## Rubbish collection – clean up

The conveying system is not sensitive to foreign objects, so the collection of tins, paper and other rubbish lying around in parks and leisure areas, is no problem for the Profihopper.

## Paddock maintenance – your horses will thank you

Healthy animals thanks to clean paddocks. The Profihopper mows patches of rank grass and the horse droppings are reliably collected.



The two Profihoppers are highly appreciated by livery owners in practical use. The excellent and reliable mowing and scarifying system also stands out in the paddock with outstanding work results.

# PowerCompactor

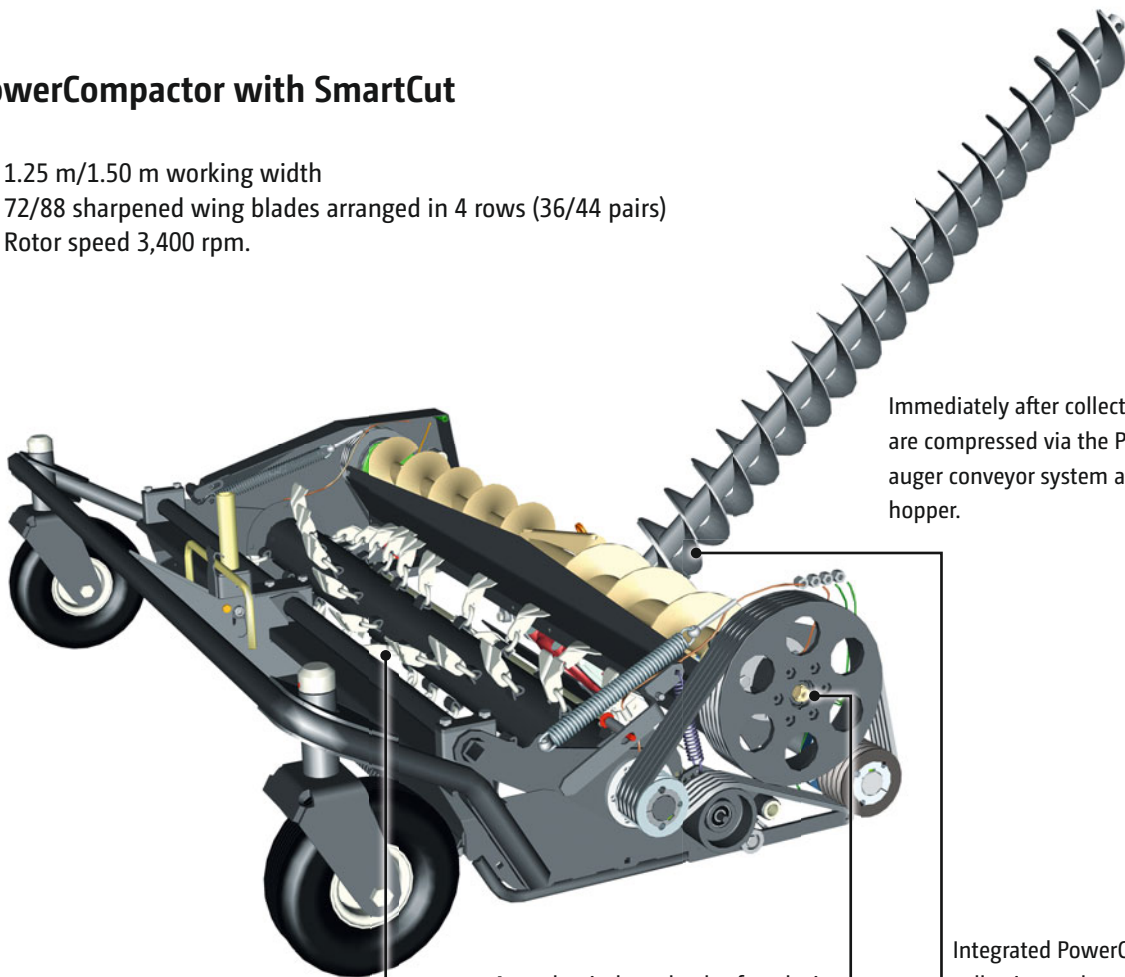
Trimmed for efficiency



- ✔ The hopper capacity is almost 50 % higher than in a conventional mower thanks to the extreme compaction of the PowerCompactor.

## PowerCompactor with SmartCut

- ✔ 1.25 m/1.50 m working width
- ✔ 72/88 sharpened wing blades arranged in 4 rows (36/44 pairs)
- ✔ Rotor speed 3,400 rpm.



Immediately after collection the cuttings are compressed via the PowerCompactor's auger conveyor system and collected in the hopper.

SmartCut out-front mowing unit.

A mechanical overload safety device and electronic monitoring helps prevent damage and blocking.

Integrated PowerCompactor collection and conveyor system via the longitudinal and cross conveying augers.

## Benefits of the PowerCompactor

- ✔ High conveying capacity provides maximum mowing efficiency
- ✔ Optimised fuel consumption by the perfect teamwork of engine capacity and forward speed
- ✔ Extreme compaction of the hopper capacity by approximately 50 % to the equivalent of 1,000/1,600 litres of cuttings

# SmartCut

More output – more efficiency



❗ “The mowing unit cuts perfectly and, even under wet conditions, the cuttings are reliably delivered via the conveyor augers into the large collecting hopper.”  
 (Practice test from ‘Kommunaltechnik’ magazine · 07/2013)

## PowerCompactor: extended, reliable operation without emptying!

With the PowerCompactor, the Profihopper enters a new class in efficiency. The PowerCompactor features an auger conveying system consisting of longitudinal and cross conveyor augers, giving the Profihopper, in comparison with other mowers, a higher collection capacity and thus quicker forward speeds, even in tall grass.

Immediately after being picked up, the cuttings are compacted by the auger conveyor system and collected in the grass catcher. Thanks to this compression, 1,000 l/1,600 l of uncompressed cuttings can be collected in the 730 l/1,100 l collection hopper. This principle increases the hopper capacity by almost 50%. Time lost by emptying the hopper is immediately reduced by 50% and the efficiency of both the machine and the operator is increased at the same.

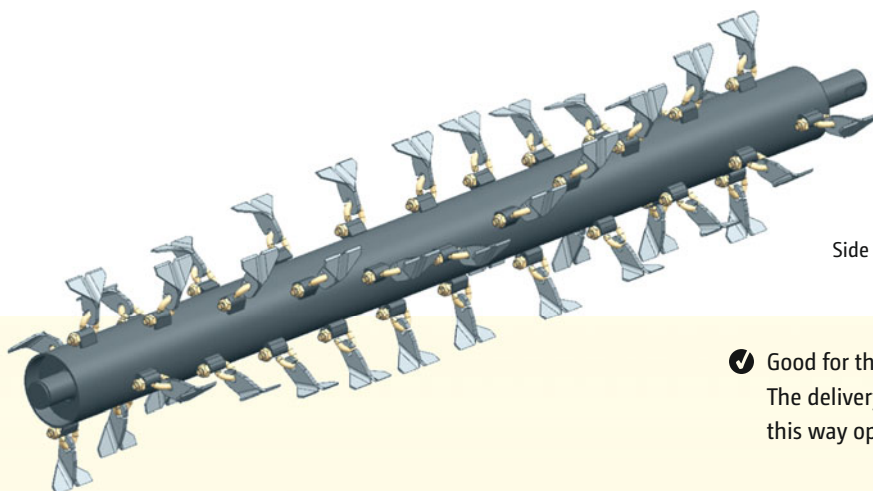
## Quiet and reliable! AMAZONE SmartCut exact cut rotor

The outstanding feature of the rotor is the specific chevron mounting arrangement of the blades resulting in an improved performance both when cutting and collecting; and at a reduced noise level. For this innovation, AMAZONE was awarded a Silver Medal by the Innovations Jury at Demopark 2013.

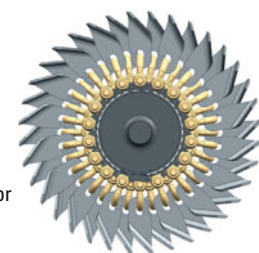
### Benefits of the SmartCut exact cutting rotor

- ✔ Precise and clean cutting in one pass
- ✔ Improved collection quality
- ✔ Reduced noise emission
- ✔ Simple and quick blade exchange

✔ AMAZONE SmartCut exact cut rotor.



Side view of the rotor



✔ Good for the operator and the environment:  
 The delivery system does not require any air assistance and in this way operates at low noise levels and is virtually dust-free.

# Profihopper 1250

Handling made easy



❗ "Like its operation, the workplace on the Profihopper is simple."

("profi" – Test report PH 1250 · 09/2020)

## Simple operation

The operation of the Profihopper 1250 is user-friendly and simple. The Profihopper is simple to operate with instruments displayed on the central dashboard and via the control levers on the right-hand side.

✔ Everything is convenient and simple to operate

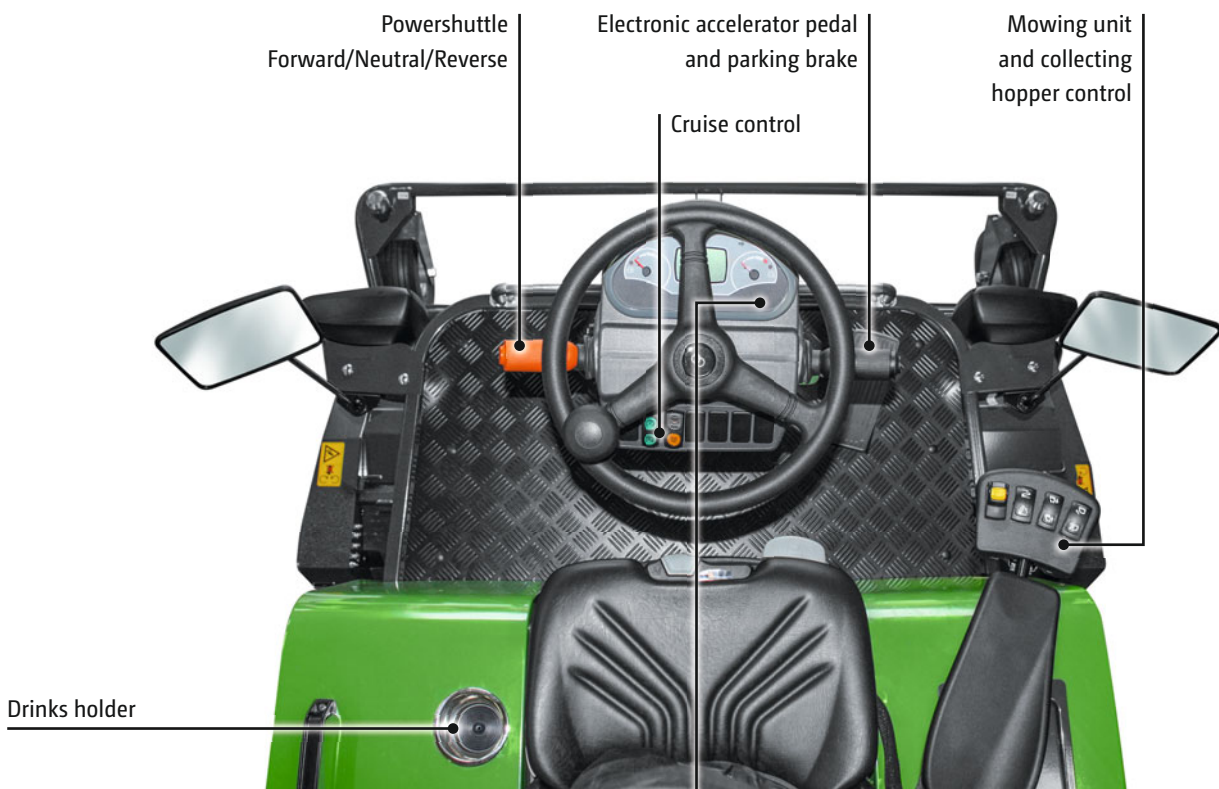
## Advantages of the Profihopper 1250

- ✔ High seating position with 360° all-round visibility
- ✔ Easy, user-friendly adjustment via control levers
- ✔ Adjustable steering column
- ✔ Easy access on and off

- ✔ Lockable storage compartments
- ✔ Drinks holder

# Profihopper 1500

Maximum ease of operation – Comfort is trumps



## Handling at its best

To make work as comfortable as possible, AMAZONE sets high standards with regard to comfort. Therefore the complete handling is simply and very ergonomically tailored to the driver and thus aims to be a relaxed environment. The high seating position in addition ensures perfect all-round visibility despite the very large hopper capacity.

### ✔ Practical Info-Display

The Info-Display shows all the important job information during work, such as mowing times, area covered and detailed engine parameters, in order to maximise the use the machine.

### ✔ With full documentation of use

The completed tasks are documented and are available for performance monitoring or utilisation analysis after the job has been completed.

## Extra advantages of the Profihopper 1500

- ✔ Relaxed working with constant speed at the touch of a button via cruise control
- ✔ Comfortable operation via the extremely ergonomic armrest
- ✔ Simple, quick change of direction via the Powershuttle
- ✔ Practical Info-Display with digital display of all the important job information

# SmartHandling

Comfort is trumps



❗ "The high-lift emptying of the collecting hopper was also praised."

(Practice test from 'Kommunaltechnik' magazine - 07/2013)

The high-lift emptying of the Profihopper 1250 SmartLine offers emptying at 2.10 m.





- ✔ The high-lift emptying of the Profihopper 1500 SmartLine enables easy unloading at up to 2.50 m.

## The high-lift discharge – safe, comfortable and far back

Safe emptying is possible at a height of 2.10 m or 2.50 m thanks to the high-lift emptying. The point of delivery has been positioned far to the rear so that even high-sided containers can be filled as well as possible.

## Easily accessed

To keep maintenance and care as low and as comfortable as possible, easy access has been taken into consideration for the Profihopper. Thanks to the large maintenance flaps, all the necessary components are directly accessed for maintenance and care.



- ✔ The easy access makes any maintenance work very comfortable. Thanks to the maintenance flaps, all important components are accessed quickly and easily.



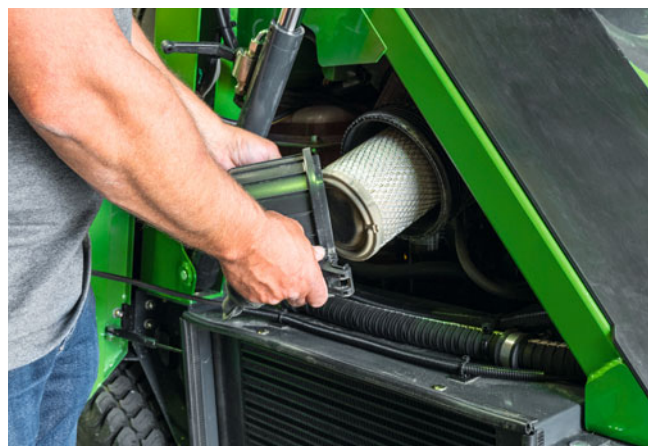
- ✔ The simple, infinitely variable cutting height adjustment ensures optimum work results at cutting heights from 0 - 90 mm.

## Central and easy cutting height adjustment

The cutting height adjustment is done very comfortably and quickly. The height of cut can be adjusted from 0 – 90 mm via the adjustment handle located on the mowing deck. Here, the total mowing deck is swivelled so that no parts are positioned deeper to impact the quality of work.

## Folding roll bar complies with EN ISO 5395

The folding roll bar via which the transport height can be reduced very easily and quickly is also very useful.



# High performance

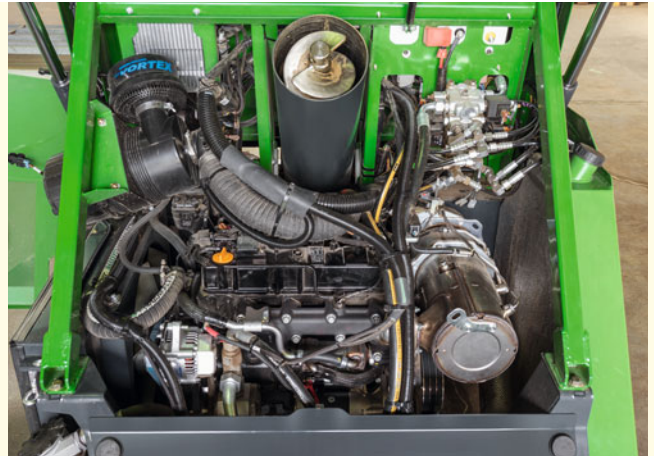
The efficient and clever drive system



❗ “Even on heavily sloping ground the Profihopper 4WDi steers straight ahead surprisingly well.”  
(Practice test from ‘Kommunaltechnik’ magazine · 07/2013)

# STAGE V

## Stage V exhaust emissions compliant



✔ Powerful but compact!

### State-of-the-art motor technology – already today standard of the future

The use of quality components such as the powerful diesel engines are a feature of the professional machines.

Thanks to the modern exhaust gas after-treatment with recirculation and particle filter, no DEF (Diesel Exhaust Fluid) is required.

### Large fuel tanks – for those long, long days

Large fuel tanks with a capacity of 40 and 55 l guarantee uninterrupted operation, even during long working days and high usage.

### AMAZONE Cooling-System – The clever cooling system

The AMAZONE Profihopper is fitted as standard with a self-cleaning coolant system (AMAZONE Cooling-System), that removes the contamination from the radiator grill of any plant residues that collect there, this is especially important when mulching.



❗ “The engine, well encapsulated against dirt, is located underneath a rubber flap which can be folded upwards.”

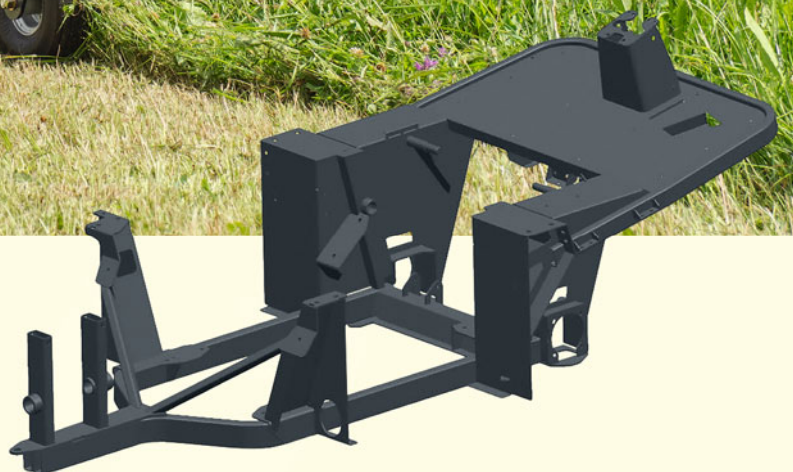
(Practice test from ‘Kommunaltechnik’ magazine · 07/2013)



✔ Self-cleaning cooling air system.

# The high class, high performance self-propelled mower

Profihopper 1500 with automated engine management



# With area outputs of up to 15,000 m<sup>2</sup>/hour



- ✔ The Profihopper 1500 is also fast on the road with a transport speed of 20 km/h.

## Economical power pack - with automated engine management

Maximum power is always available at any time thanks to the automated engine management of the Profihopper 1500. However, the engine works efficiently and economically when maximum power is not needed.

A distinction is made between transport and working modes, in order to make use optimum use of the power of the Profihopper 1500.

### The benefits

- ✔ Optimisation of the fuel consumption by matching the power utilisation
- ✔ 30 % higher performance in tall grass (compared to the Profihopper 1250)

## Maximum forward speed in transport mode

The engine revs are determined exclusively by the forward speed in transport mode. Maximum forward speed is 20 km/h.

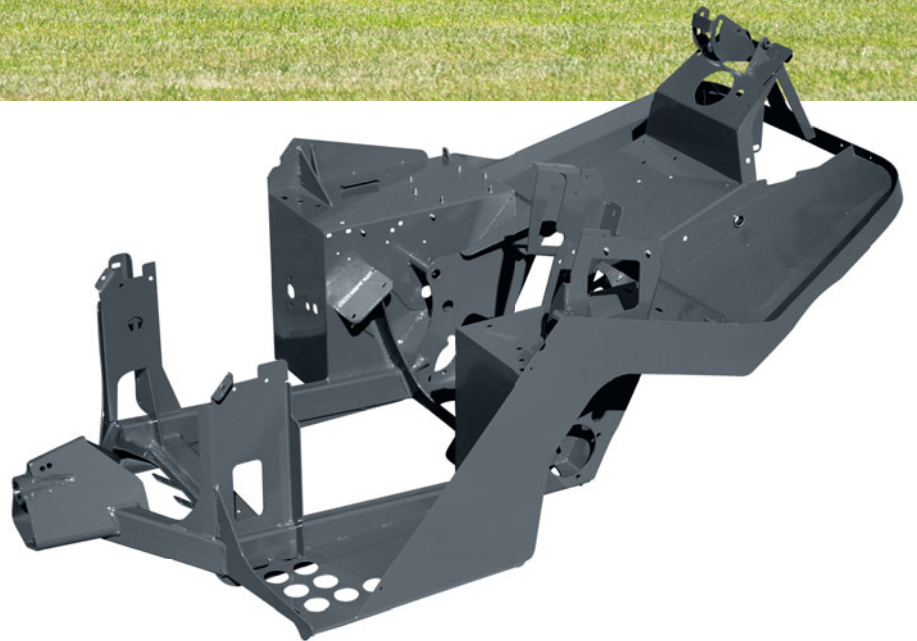
## Increased performance in work mode

As soon as the mowing deck of the Profihopper 1500 is switched on, the machine automatically switches to work mode. The engine revs are increased up to 2,800 rpm and the forward speed is limited to 11 km/h. The perfect interaction of drive and engine power allows maximum area outputs of up to 15,000 m<sup>2</sup> per hour thanks to the working width of 1.50 m.



# Maximum robustness

Make your decision in favour of a Profihopper and be relaxed when facing the next task



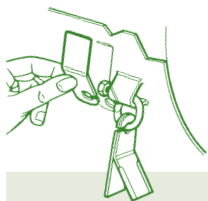
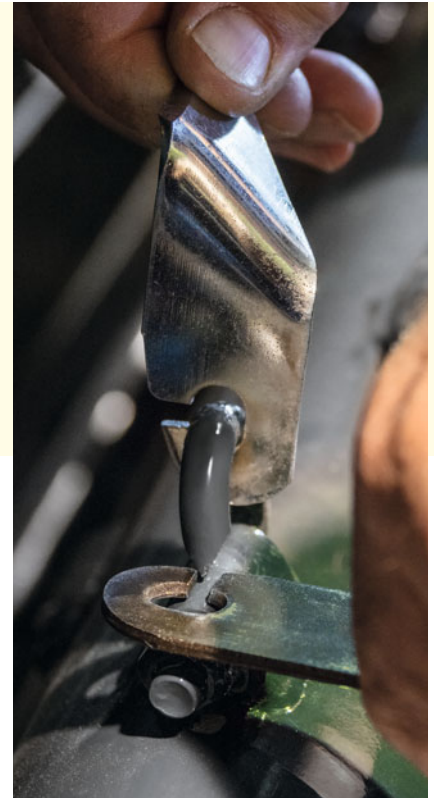
✔ The collection and conveying system is generously dimensioned. The reinforced auger conveyor works reliably and is also characterised by long service lives.

✔ The strong frame and the robust design of all mechanical and hydraulic components ensure the superb reliability of the Profihopper.

# Blade change – simple, quick and safe!

## Different blades are available for individual applications

The high wear-resistant qualities of the knives result in little wear. In addition, the blade system is resistant to foreign obstacles because each blade is independently suspended.



Blade exchange without tools	H77 long sharpened wing blade (standard)	H88 extra long sharpened wing blade	Scarifying blade 3 mm	Scarifying blade 2 mm	H77 long sharpened wing blade with scarifying blade	H60 sharpened wing blade with scarifying blade
Lawn maintenance	● ● ●					
Golf course maintenance	● ● ●					
Maintenance of parks	● ● ●					
Maintenance of public green spaces	● ● ●					
Mowing and collecting in damp conditions	● ● ●	● ● ●				
Leaf collection	● ● ●				● ● ●	● ● ●
Scarifying			● ● ●			● ● ●
Scarifying golf courses/large grass areas				● ● ●		● ● ●
Combing out lawns (e.g. supplementary to the cylinder mower)						● ● ●
Paddock maintenance					● ● ●	
Number of blades required: Profihopper 1250	36 pairs	36 pairs	36 knives	36 knives	36 pairs + 36 knives	36 pairs + 36 knives
Number of blades required: Profihopper 1500	44 pairs	44 pairs	44 knives	44 knives	44 pairs + 44 knives	44 pairs + 44 knives

● ● ● very good result

# Judgement in practice

The Profihopper 1250 4WDi in operation



Hubert Dammann of the Olaf Krause Gardening and Landscaping Company working with the Profihopper 1250





Hermann Löffeld, agricultural contractor:

❶ "We can use the machines in any weather because the augers reliably convey grass, leaves and horse droppings into the hopper".  
 ("profi" Practical opinion on the Profihopper 1250 · 09/2020)

Olaf Krause, landscape gardener:

❶ "The machine stands out because of its reliability, irrespective of the weather conditions."

### Contractor and equestrian centre owner is impressed by the Profihopper

Hermann Löffeld is an agricultural contractor who uses two Profihoppers on his "Hof Löffeld" farm as universal machines for mowing, scarifying and collecting leaves with great success. In addition to this, Mr Löffeld and his employees mow out rank grass patches at his equestrian centre, as well as at the facilities of other horse owners, and also collect horse droppings. Mr. Löffeld particularly likes the fact that both short grass on lawns and overgrown horse pastures can be mown. He always uses the additional scarifying blades for simultaneous mowing and scarifying.

### Garden and landscaping company relies on AMAZONE technology

"We started with the Profihoppers when they first came on the market in 2010", says Olaf Krause, owner and manager of the company. In the meantime, we use a Profihopper PH 1250 4WDi on the estate, amongst others. "In total we mow more than 500 ha of grass per year, and a great deal of this work is done with the Profihopper. The Profihopper stands out because of its reliability, irrespective of the weather conditions, rain or shine". Olaf Krause is particularly pleased with the SmartCut exact cut rotor, which mows or mulches, scarifies and even collects leaves. "This saves valuable time and sets the machine apart from the other mowers," says the contractor.

<b>Operation:</b>	Herman Löffeld
<b>Location:</b>	Lienen/Tecklenburg
<b>Focus:</b>	Contractor+ equestrian centre
<b>Range of application:</b>	Mowing, mulching, scarifying and collecting leaves and horse droppings
<b>Machines used:</b>	2 Profihoppers 1250 4WDi

<b>Operation:</b>	Olaf Krause GmbH & Co. KG
<b>Location:</b>	Halle (Westf.)/Kölkebeck
<b>Focus:</b>	Gardening and landscaping
<b>Range of application:</b>	Mowing, mulching, scarifying and leaf collection
<b>Machine used:</b>	Profihopper PH 1250 4WDi

# For any demand, the right solution



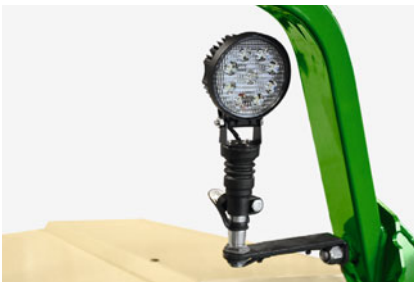
- ✓ LED rotating beacon forms part of the lighting kit



- ✓ Front lights form part of the lighting kit



- ✓ LED rear lights form part of the lighting kit



- ✓ LED working lights



- ✓ Extra wide tyres are available on request<sup>1</sup>



- ✓ The weatherproof canopy offers protection from rain and sun<sup>1</sup>



- ✓ A choice of 3 different seats offer the right solution for every requirement! The ultimate: Grammer "De Luxe" seat with air cushioning and heating



- ✓ The hitch coupling is extremely practical and useful<sup>2</sup>

<sup>1</sup> Only available as optional equipment for the Profihopper 1250 SmartLine.

<sup>2</sup> Only available as optional equipment for the Profihopper 1500 SmartLine.

# Technical data:

## Profihopper self-propelled mower SmartLine



Model	Profihopper 1250 iDrive SmartLine	Profihopper 1250 4WDi SmartLine	Profihopper 1500 SmartLine
Drive system	Hydrostatic, front wheel drive, 2 hydraulic motors and 2 hydraulic pumps	Hydrostatic, all-wheel drive, 4 hydraulic motors and 2 hydraulic pumps	Hydrostatic, all-wheel drive with double piston pump with electronic control
Weight with mowing deck	1,175 kg		1,770 kg
Total perm. weight	1,600 kg		2,400 kg
Engine	Kohler diesel, water cooled, 3 cylinder, 1,068 ccm, 18 kW (24.5 HP), Stage V compliant		Yanmar 4TNV 88 diesel, water cooled, 4 cylinder, 2,190 ccm, 34 kW (45.6 HP), Stage V
Fuel tank capacity	40 l of diesel		55 l of diesel
Forward speed	Forwards: 0 to 12 km/h, infinitely variable Reverse: 0 to 6 km/h, infinitely variable		Forwards: 0 to 20 km/h, infinitely variable Reverse: 0 to 8 km/h, infinitely variable
Working speed	0 to 10 km/h, infinitely variable		0 to 11 km/h, infinitely variable
Working width	1.25 m		1.50 m
Mowing deck	SmartCut rotor with 72 blades (36 pairs)		SmartCut rotor with 88 blades (44 pairs)
Cutting height adjustment	Infinitely variable from 0 – 90 mm		
Dimensions with mowing deck	Length: 2,785 m · width: 1,482 m · height: 1,994 m		Length: 3.40 m · width: 1.80 m · height: 2.20 m
Tank capacity	730 l (equal to more than 1,000 l of cuttings)		1,100 l (is equal to more than 1,600 l of cuttings)
High-lift discharge	2.10 m		2.50 m
Tyres	Front: 20 x 10.00-10 6PR or 21 x 11.00-10 4PR or 20 x 12.00-10 4PR Rear: 16 x 6.50-8 6PR	Front: 20 x 10.00-10 6PR or 21 x 11.00-10 4PR or 20 x 12.00-10 4PR Rear: 16 x 6.50-8 4PR KEVLAR	Front: 24 x 12.00-12 6PR Rear: 20 x 10.00-10 6PR

Illustrations, content and technical data are not binding! Deviations of technical data are possible depending on the equipment. The illustrations may deviate from the requirements for local road traffic regulations.



✓ Profihopper 1250 SmartLine (left)! The little brother in 1.25 m working width.



# AMAZONE



Illustrations, content and technical data are not binding! Deviations of technical data are possible depending on the equipment. The illustrations may deviate from the requirements for local road traffic regulations.



## AMAZONE S.A. Forbach

B.P. 90106 · 17, rue de la Verrerie · F-57602 Forbach Cedex

Phone +33 (0)3 87 84 65 70 · Fax +33 (0)3 87 84 65 71

[www.amazone.fr](http://www.amazone.fr) · [forbach@amazone.fr](mailto:forbach@amazone.fr)